

# Tiandy



TC-C34XP Spec: W/E/Y/(M)/2.8mm/V4.0

## 4MP Fixed Color Maker Turret Camera

Lite Series



### KEY FEATURES

- Default: Metal+Plastic, M: Metal Housing
- Up to 2592x1520@25fps
- S+265/H.265/H.264
- Min. illumination Color: 0.0008Lux@F1.0
- 120dB WDR
- 2 Warm lights, 15~20m
- Support tripwire and perimeter
- Built-in Mic, SD Card Slot, Reset Button
- Operating Conditions -40°C~60°C, 0~95% RH
- POE, IP67



**Tiandy Technologies Co.,Ltd.**

Email: [sales@tiandy.com](mailto:sales@tiandy.com)

Tel: +86-22-58596178

Website: [en.tiandy.com](http://en.tiandy.com)

Fax: +86-22-58596048



## SPECIFICATIONS

Camera	
Image Sensor	1/2.8" CMOS
Signal System	PAL/NTSC
Min. Illumination	Color: 0.0008Lux@ (F1.0, ACG ON), 0Lux with LED on
Shutter Time	1s to 1/100,000s
Day & Night	N/A
Wide Dynamic Range	120dB
Angle Adjustment	pan 0~340°, tilt 0~75°, roate 0~360°
Lens	
Lens Type	Fixed
Focus	2.8mm
Lens Mount	M12
Aperture	F1.0, Fixed
FOV	Horizontal field of view: 93.8°
Illuminator	
IR LEDs	N/A
IR Range	N/A
Wavelength	N/A
White LEDs/Warmlights	2
Compression Standard	
Video Compression	S+265/H.265/H.264
Video Bit Rate	32Kbps~6Mbps
Audio Compression	G.711A/G.711U/ADPCM_D
Audio Bit Rate	8K~48Kbps
Image	
Max. Resolution	2592x1520
Main Stream	PAL: 25fps (2592x1520, 2560x1440, 2304x1296, 1920x1080, 1280x720) NTSC: 25fps (2592x1520, 2560x1440), 30fps (2304x1296, 1920x1080, 1280x720)
Sub Stream	PAL: 25fps (704x576, 704x288, 640x360, 352x288) NTSC: 30fps (704x480, 704x240, 640x360, 352x240)
Third Stream	N/A
Image Setting	Saturation, brightness, contrast, sharpness, adjustable by client software or web browser
Image Enhancement	BLC/3D DNR/HLC
ROI	N/A
OSD	16x16, 32x32, 48x48, 64x64, adaptable size, Letters Such as Week, Date, Time, Total 3 Regions
Picture Overlay	N/A
Privacy Mask	Yes, 4 regions
Smart Defog	Yes
Feature	
Alarm Trigger	Motion Detection, Mask Alarm, IP Address Conflict
Video Analytics	Tripwire, Perimeter
Early Warning(EW)	N/A



Network	
<b>ANR</b>	Yes, auto store video in SD card when NVR disconnected, and upload video to NVR when resumed connection (Only Support Tiandy ANR NVR)
<b>Protocols</b>	TCP/IP, HTTP, FTP, DHCP, DNS, DDNS, MULTICAST, IPV4, NTP, UDP, Telnet, ICMP, RTP, RTSP, RTCP, UPnP
<b>System Compatibility</b>	ONVIF (PROFILE S/T/G), SDK, CGI (IE), P2P(Mutually exclusive with Profile G)
<b>Remote Connection</b>	≤7
<b>Client</b>	Easy7, EasyLive
<b>Web Version</b>	Web6
Interface	
<b>Communication Interface</b>	1 RJ45 10M/ 100M self adaptive Ethernet port
<b>Audio I/O</b>	Mic in
<b>Alarm I/O</b>	N/A
<b>Reset Button</b>	Yes
<b>On-board storage</b>	Built-in MicroSD card slot, up to 512 GB
General	
<b>Firmware Version</b>	-
<b>Web Client Language</b>	15 languages English, Russian, Spanish, Korean, Italian, Turkish, Simple Chinese, Traditional Chinese, Thai, French, Polish, Dutch, Hebraism, Arabic, Vietnamese
<b>Operating Conditions</b>	-40°C ~ 60°C, 0 ~ 95% RH
<b>Power Supply</b>	DC 12V±25%, PoE (802.3af)
<b>Power Consumption</b>	MAX: 6W (12V) MAX: 8W (PoE)
<b>Protection</b>	IP67, Lightning protection, surge protection and voltage transient protection meets EN 55035:2017
<b>Heater</b>	N/A
<b>Dimensions</b>	Φ116.6×83.7mm (Φ4.59×3.30inch)
<b>Weight</b>	Metal+Plastic: 0.33Kg (0.73lb) Metal: 0.47Kg (1.04lb )

\* Listed resolutions are only selectable options. It does not mean that all streams can work at their maximum resolution at the same time.

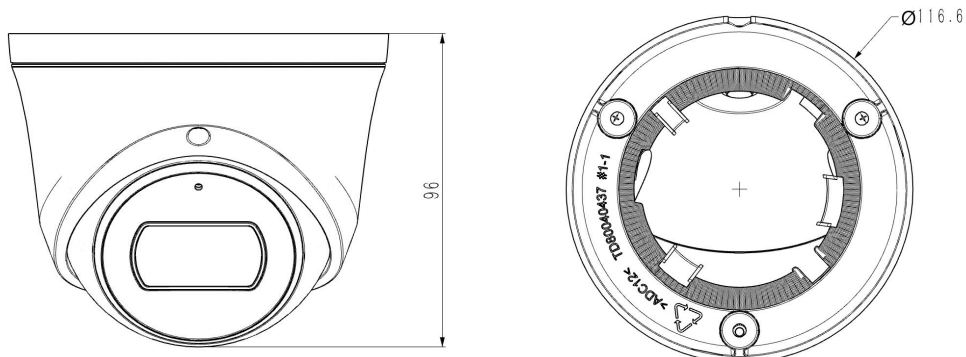
## AVAILABLE MODEL

**TC-C34XP SPEC: W/E/Y/2.8MM/V4.0**

**TC-C34XP SPEC: W/E/Y/M/2.8MM/V4.0**

# Tiandy

## DIMENSIONS



## ACCESSORIES



A29  
A29 WALL MOUNT



TC-P54BM SPEC: V5  
JUNCTION BOX



A36  
POLE MOUNT

DISTRIBUTED BY



**Tiandy Technologies Co.,Ltd.**

Email: [sales@tiandy.com](mailto:sales@tiandy.com)  
Website: [en.tiandy.com](http://en.tiandy.com)

Tel: +86-22-58596178  
Fax: +86-22-58596048